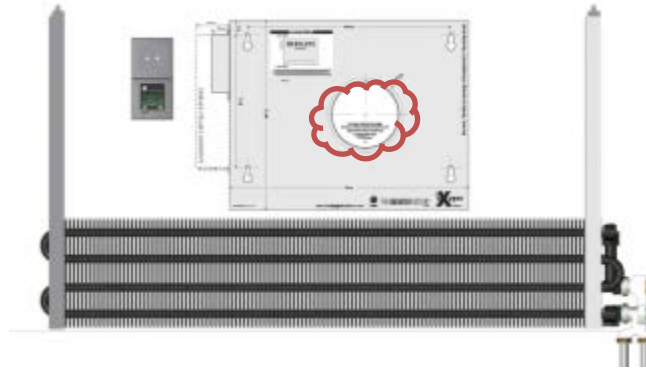


Mounting Instructions



1

Drill **Ø163mm** hole in the correct place – use the template from the refresh unit to get the correct position – please note template hole diameter is for opening at rear of refresh unit and **not** to accommodate the damper assembly.



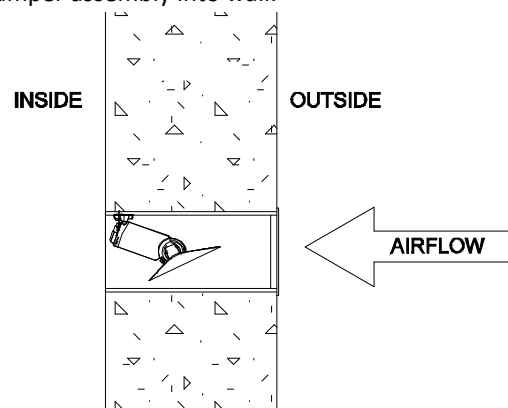
2

Measure thickness of wall and cut duct to suit – minimum length 280mm from damper install end as indicated by the red line.



3

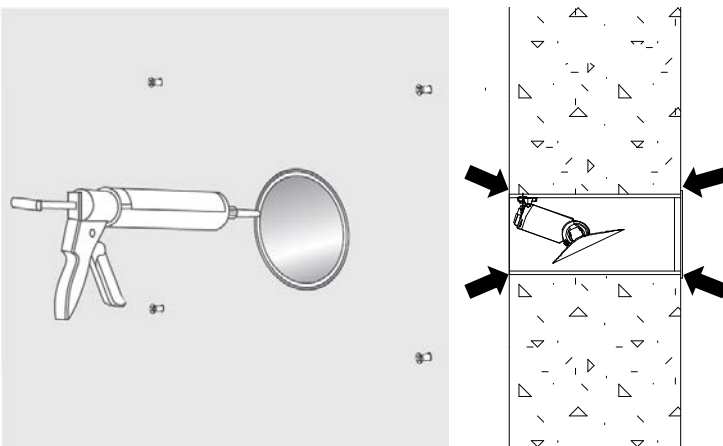
Fit damper assembly into wall.



It may be necessary to channel the wall to accommodate the cable to the left hand side to allow for electrical connections.

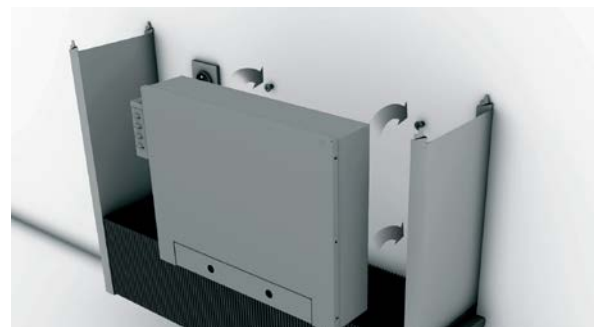
4

Seal tube around inside edge and fix grille on outside.



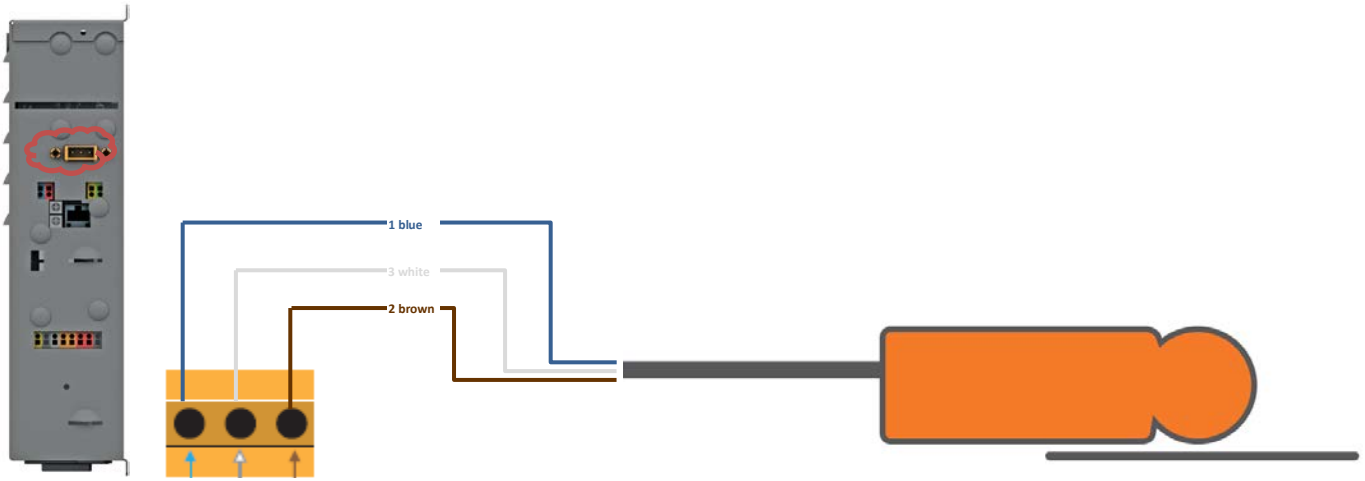
5

Mount refresh unit – refer to refresh unit mounting instructions.

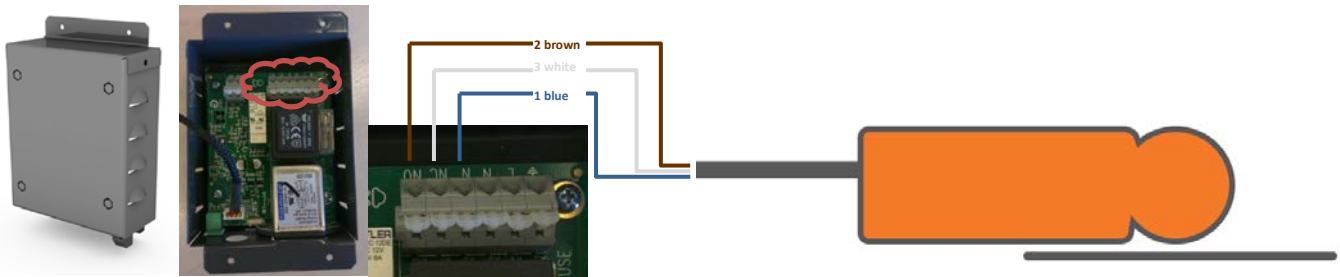


Connect electrically as per appropriate sketch below

Refresh units models OXRU.015, OXRE.015, OXRE.020H & OXRE.020V with **eCAB**



Refresh units models OXRU.015, OXRE.015, OXRE.020H & OXRE.020V with **Control Box**



Refresh unit models OXRU.009 & OXRU.010 with relay control

