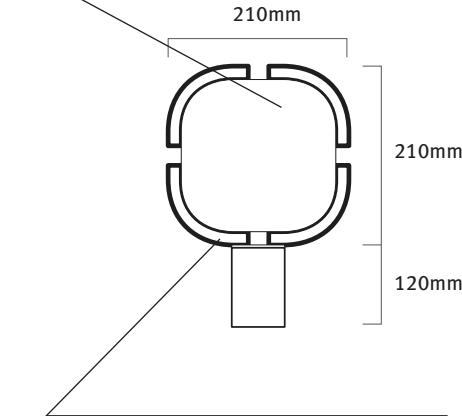


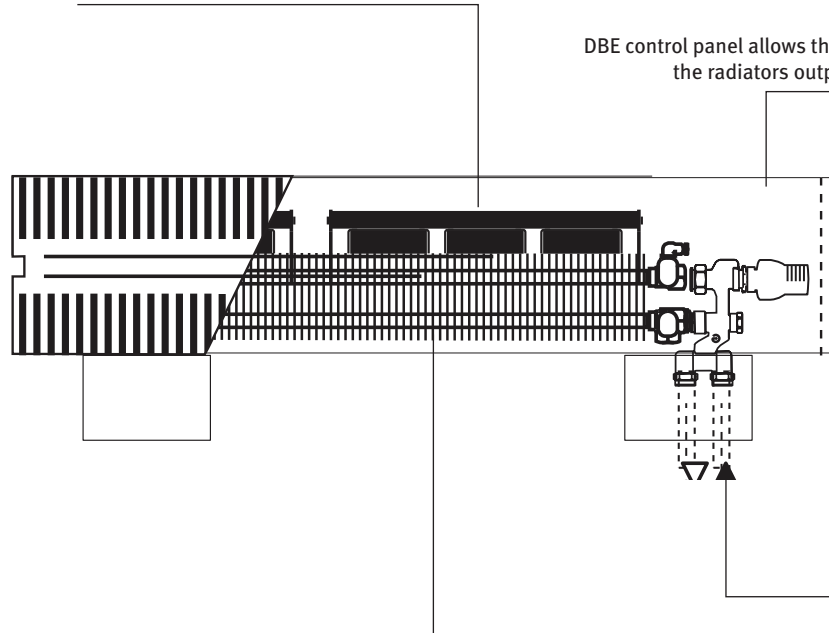
# Knockonwood Freestanding DBE

**Never in the way**  
Unobtrusive design: perfect for areas where space is limited



**Safe casing**  
The Knockonwood DBE's case is always at a safe temperature to touch, whatever the output

**DBE (Dynamic Boost Effect)**  
DBE technology offers on-demand output boosts and increased efficiency when used with low flow temperature heating systems



**One-touch boost**  
DBE control panel allows the user to increase the radiators output when required

**Low-H<sub>2</sub>O heat exchanger**  
Low mass, low water content heat exchanger that uses 90% less water than conventional units

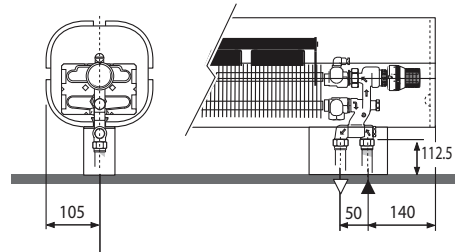
**Connections**  
All connections enclosed within the feet

## Supplied as Standard

- Finish 700, natural oak
- Complete in one piece
- Fully pre-assembled product
- DBE system complete with 240 volts AC/ 12 volts DC power, control and operation
- Feet with pipe guard
- Low-H<sub>2</sub>O heat exchanger type 15
- Air vent elbow 1/8" + drain cock 1/2"
- Jaga Comap valve with Eurocone connections at the bottom of the foot, left or right. Full technical details for this valve, available on request
- Jaga Comap thermostatic head

## Connections

Jaga Comap valve to the floor



- The valves offered by Jaga are completely concealed within the standard casing
- All connections are exchangeable to either the left or right support
- Use Eurocone couplings

### Electric connection

- Female connector to be provided in the foot
- 240 volts AC/ 12 volts DC power supply transformer plug is supplied
- Socket outlet to be provided adjacent to the radiator

**LOW H<sub>2</sub>O 30**  
YEAR GUARANTEE

